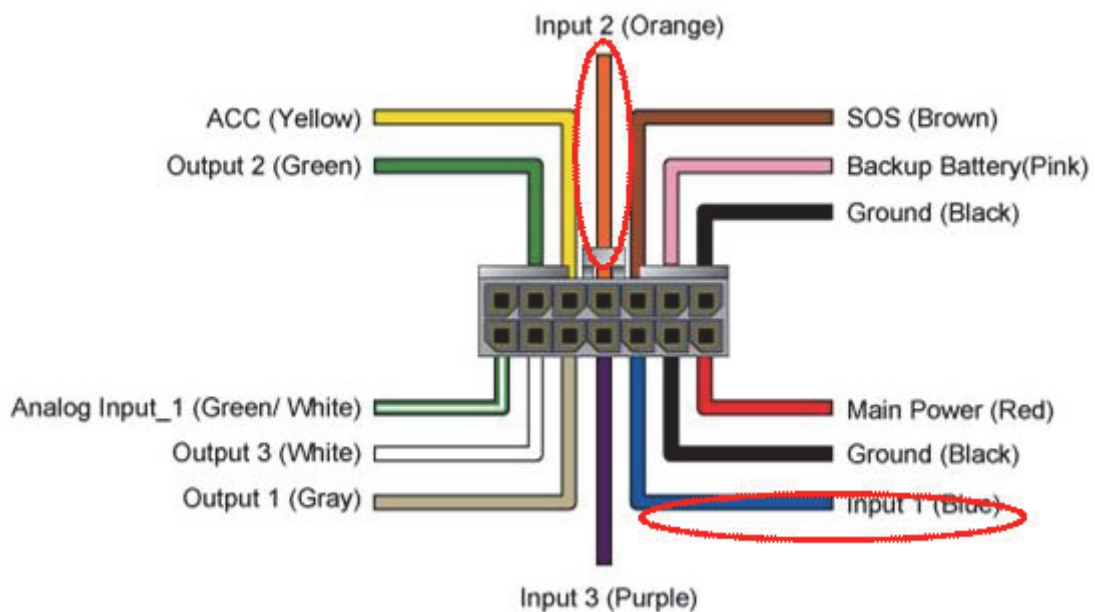
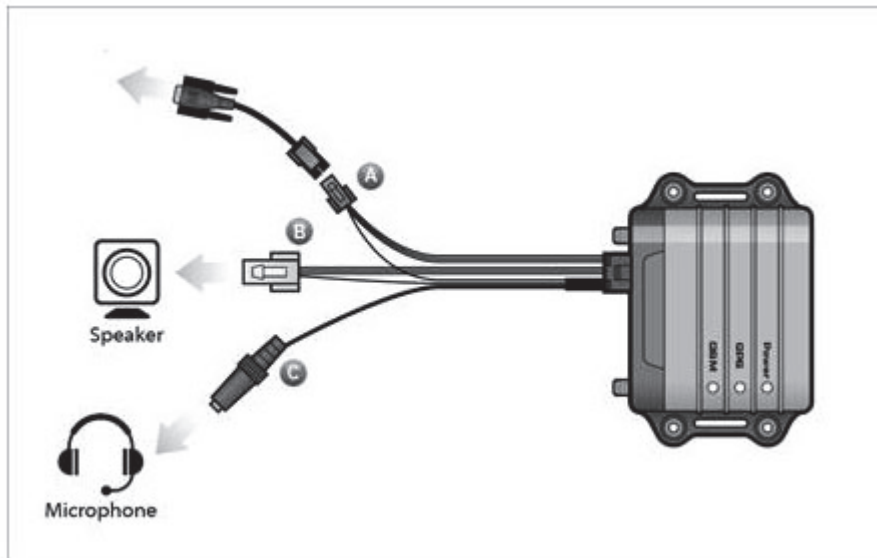


Speaker for Globalsat TR-600(G)

In order to have the voice monitor function, please connect the 8 pin cable to TR-600, and then connect the microphone to the 8 pin cable. For the two-way communication, please also connect speaker to the 8 pin cable. And connect the buttons of dialing the phone number and picking up /hang up the phone call must be connected to digital input 1 (blue wire) and digital input 2 (orange wire).



Voice monitor:

TR-600/TR-600G can only be voice monitored by the phone number of V4 parameter. But TR-600/TR-600G has to differentiate the phone calls from V4 is for voice monitor or for phone conversation.

For voice monitor, please set V1=0. Then V4 number can dial the phone number of TR-600/TR-600G to do voice monitor.

For example, enable voice monitor and set V4 phone number as below.

GSS,10339376540375,3,0,V1=0,V4=0921193193*5d!

Enable the two-way voice communication:

If having two-way voice communication by V4 phone number is needed, please set V1=1. The default of two-way communication is not off, please set V1=1 and VE=1 to turn on the two-way voice communication. Then all phone numbers can make phone call to TR-600 to have two-way voice communication.

If auto pick up the incoming call is needed, please set V7=1.

For example, enable the two-way voice communication as the command below.

GSS,10339376540375,3,0,V1=1,VE=1,V4=0921193193*6f!

Outgoing phone call:

The function of making phone call and picking up/hanging up phone call has to be activated by setting the action type of digital input 1 (Qj) to call V4 (20), and the action type of digital input 2 (Qp) to pick up the phone call or hang up the phone call(25). Then customer could press the button connected to digital input 1 to call V4 and press the button connected to digital input 2 to answer the phone call or hang up the phone call. The action type for two-way voice communication is as below.

Action type	Code
Call V4	20H
Hang up the phone call	23H
Pick up the phone call	24H
Answer the phone call / hang up the phone call during phone call	25H

Note: TR-600 can only make outgoing phone call to V4 phone number. It is necessary to set the phone number of V4 for outgoing phone call of TR-600.

For example, connect the button to digital input 1 and set its action type to make the phone call of V4 phone number. Then connect the other button to digital input 2 and set its action type to answer/hang up the phone call. The command is as below.

GSS,10339376540375,3,0,Qj=20,Qp=25,V4= 0921193193*24!

Below please also refer the concerning parameters of the voice monitor and two-way communication.

Code word	Parameters	Value	Description
V0	Call out emergency phone number 1 when Emergency alarm happens	1/0	0=disable 1=enable
V1	The purpose of phone call from V4 phone number	1/0	1=phone conversation 0=voice monitor Default=0
V4	Voice Monitor /two-way communication phone number	char(20)	
V7	Enable/ disable auto-answer	1/0	0=disable 1=enable Default=0
VA	Speaker volume level	u8	0~8 Default=2
VB	Ring tone volume level	u8	0~8 Default=4
VE	Enable/ disable voice conversation	1/0	0=disable 1=enable Default=0